

Think GAIA
For Life and the Earth

SANYO

1/3.3" Color CMOS Super-mini dome Camera

VCC-W1072

- Wide dynamic range (WDR) camera in super-mini dome housing
- Pure color by the color coding is a RGB Bayer pattern filter
- Built-in fixed lens (f=3.0mm / F2.0)
- Power supply 12 V DC \pm 10%



Super mini-dome camera with **Wide Dynamic Range**



Single image from Combined Exposures



Normal camera

Super-High Resolution
500-TVL


VCC-W1072

Features


- Built-in progressive 1/3.3" CMOS, approx. 390,000 picture elements (Effective: 35,000 picture elements)
- Indispensable functions for indoor applications
- Horizontal Resolution: 500TVL *(WVGA) , 470TVL (VGA)
- Excellent immunity to shock and vibration using all solid-state components
- High-sensitivity, minimum required illumination is 1.0 lx.
- Auto tracing white-balance system
- Equipped with electronic iris.
- Internal synchronisation system
- No interference from magnetic field or electrostatic field

Wide dynamic range cameras line up

500TVL
1/3.3" Color CMOS
Super-mini dome Camera
VCC-W1072



480TVL
1/3" Color CCD
High-resolution WDR
Vandal-resistant Dome Camera
with Vari-focal Lens
VDC-W1594VA



Dome-shaped cameras line up

PAN-FOCUS
Technology in Perspective

520TVL

DAY NIGHT

1/4" Color CCD
High-resolution
Vandal-resistant PTZ
Network Dome Camera
VDC-DP9584N

1/4" Color CCD High-resolution
Vandal-resistant Dome Camera
VDC-DP7584

Color

1/4" Color CCD
High-resolution Indoor mini
PTZ Network Dome Camera
VCC-P9574N

1/4" Color CCD High-resolution
Indoor mini PTZ Dome Camera
VCC-P9574S

1/4" Color CCD High-resolution
Indoor mini Dome Camera
VCC-P7574

Vari-focal

540TVL
1/4" Color CCD
High-resolution Indoor
mini Dome Camera
with Vari-focal Lens
VCC-9684VA

1/4" Color CCD
High-resolution Indoor
mini Dome Camera
with Wide angle Vari-focal Lens
VCC-9684VW

520TVL
1/3" Color CCD High-resolution
Vandal-resistant Dome Camera
with Vari-focal Lens
VDC-D1584VA *DAY NIGHT*

1/3" Color CCD High-resolution
Vandal-resistant Dome
Camera with Vari-focal Lens
VDC-C1574VA

480TVL
1/3" Color CCD High-resolution
WDR Vandal-resistant Dome
Camera with Vari-focal Lens
VDC-W1594VA

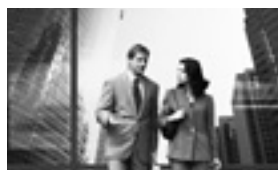
| MODEL | VCC-W1072 |
|------------------------------------|---|
| Scanning system | NTSC standard 525 lines, 60 fields/sec |
| Image sensor | 1/3.3" Progressive CMOS |
| Picture elements | 720 (H)×480 (V) effective picture elements |
| Horizontal resolution | 500TV lines typical (WVGA mode) 470TV lines typical (VGA mode) |
| Minimum illumination | 50 IRE 1.0 lx (at F 2.0) 20 IRE 0.4 lx (at F 2.0) |
| Video output level | 1.0 V (p-p) / 75 Ω , composite, BNC |
| Video S/N ratio | More than 50 dB (AGC off) |
| Wide dynamic | ON / OFF, 54dB typical |
| White-balance | ATW (fixed) |
| Gain control | AGC |
| Iris control | Electronic iris (fixed) |
| Lens | f=3.0mm / F 2.0 |
| Pan/Tilt range | Pan: 360° degrees, Tilt: 0 to 90° degrees |
| Display mode | VGA / WVGA |
| Synchronizing system | Internal synchronization |
| Sockets | Video signal 1.0 V p-p / 75 Ω (BNC) Power supply 12 V DC ±10% |
| Operating conditions | Operating Temperature: -10°C to 50°C [+14°F to 122°F], Humidity: within 90% RH Storage Temperature: -20°C to 70°C [-4°F to 158°F], Humidity: within 70% RH |
| Power requirement | 12 V DC ±10% |
| Power consumption (approx.) | 1.0 W |
| Dimensions (approx.) | 100 (w) x 70 (H) mm [3.93 (w) x 2.8 (H) in.] |
| Weight (approx.) | 150g [5.3 oz.] |

NOTE: Specifications subject to change without notice

WVGA and VGA display modes available

The WVGA mode increases the resolution to 500 TV lines to display the subject under surveillance on a wide screen.

The VGA mode offers a natural display in conventional screen size with the 470 TV line resolution.



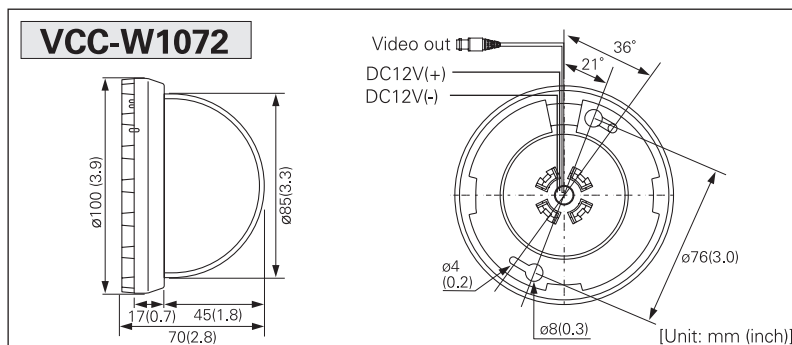
WVGA



VGA

Wide dynamic range for clear images of high-contrast subjects

When using a conventional camera, monitoring of windows, doors and other strongly backlit areas can result in featureless blacks and transparent whites. With the newly developed wide-dynamic-range technology, however, two shutter speeds, one normal (1/60) and the other high speed, are employed to record clearer images of the subject by extracting highlights and shadows from the two shots and then combining them into a single detailed image.



***Caution:** Please consult the instruction manual to ensure safe and proper operation of the product.



Digital System Company of SANYO Electric Co., Ltd. obtained Quality Management System ISO9001 and Environmental Management System ISO14001 certifications.

Distributed by:



SANYO Electric Co., Ltd.
Digital System Company
www.sanyosecurity.com
© 2008 SANYO Printed in Japan 2008.07 AP
SFA181F