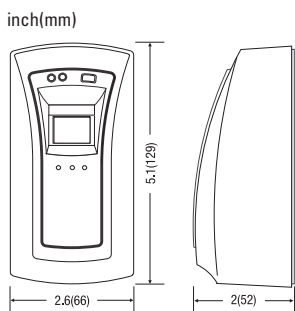


Fingerprint Identification Proximity Reader

FGR006 FGR006EX



FGR006 / EX



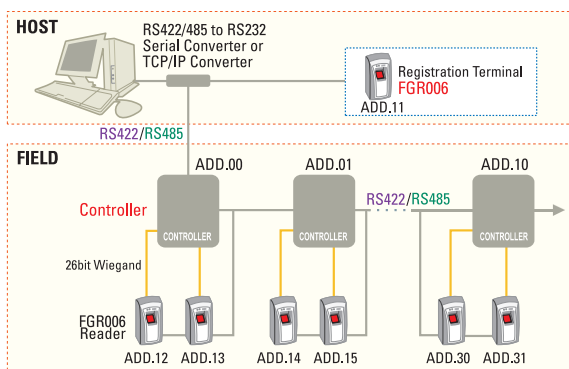
KEY Features

- 1:1 Verification and 1: N Identification
- Identification Method: by Auto Touch Sensor (optional) : FGR006A/EXA
- 125KHz Proximity and Fingerprint Recognition
- 1,000/2,000/4,000 Fingerprint Users
- Various Operating Mode
- ID only Function for Fingerprint Unregistrable Person
- Network Communication via RS232 / RS422 / RS485 (Max.255ch), TCP/IP (External Converter required)
- Upload/Download Fingerprint Templates using Notebook (Optional, RS232C Stereo Jack required)
- Fingerprint Register / Reader Mode using Master Card
- Off-line Add / Delete Function using Master Card
- 26bit Wiegand (default) and ABA Track II (optional) Output Format
- 1ea of External Reader Port: (FGR006EX)
26 / 34bit Wiegand, 4 / 8bit Burst for PIN and ABA Track II
- Firmware Upgrade via S/W
- High Protection from Scratch and ESD (Electro Static Discharge)
- High Quality Optical Sensor
- Tamper Switch
- Options: Supervisory Signal, RS232C Stereo Jack
- Compatible Software: STARWATCH DUAL PRO I / II, iTDC PRO I / II, FINGERPRINT ENROLLMENT PRO 2006
- Compatible Controller: iCON100, iTDC, Third Party Controller, Standalone Controller

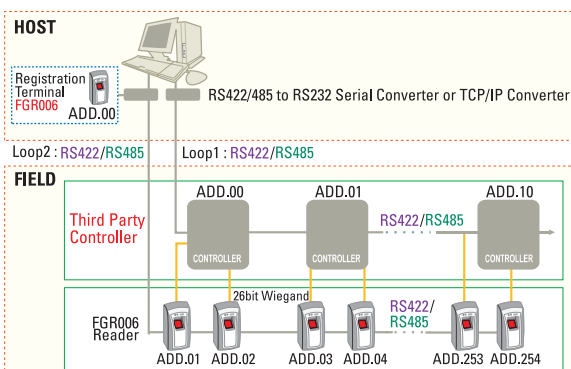
Comparison Table

FGR006	Built-in 125KHz (4") Proximity Reader RF only / Fingerprint only / RF+ Fingerprint
FGR006EX	Built-in 1ea of External Reader Port
FGR006A	FGR006 including Auto Touch Sensor for Identification
FGR006EXA	FGR006EX including Auto Touch Sensor for Identification

Connect IDTECK Controller with Fingerprint Reader



Connect Third Party Controller with Fingerprint Reader



Star

Upload/Download Fingerprints using Notebook



Fingerprint Module Specifications

Resolution	500dpi
Capture Image Size	356 x 292 pixels
Extraction Image Size	248 x 292 pixels
Sensing Area	12.7mm x 14.9mm
Scanner	High Quality Optical Sensor
FAR(False Acceptance Ratio)	0.001%
FRR(False Reject Ratio)	0.1%
ESD(Electro Static Discharge)	15KV
Verification Time	Less than 1sec.
Identification Time	Less than 2sec.

Specifications

Model		FGR006	FGR006EX
CPU		32bit ARM9 and Dual 8bit Microprocessor	
Memory	Fingerprint Module	Program Memory	128KByte Flash ROM
	Controller	Data Memory	128KByte / 256KByte / 512KByte Flash Memory
		Program Memory	128KByte Flash ROM
		Data Memory	256KByte Flash Memory
Fingerprints User		1,000 / 2,000 / 4,000 Fingerprint Users	
Fingerprint Templates Size		800Bytes for 2 Fingerprint Templates	
Read Range	Passive Type	IDK50 / IMC125 : Up to 2 inch (5cm) IDC80 / IDC170: Up to 4 inch (10cm)	Depending on External Reader
	Active Type	IDA150 / IDA200 compatible	
Reading Time (Card)		30ms.	
Verification		Less than 1sec.	
Identification Time		Less than 2sec.	
Power / Current		DC 12V / Max. 350mA	
External Reader Port		N/A	1ea: 26 / 34bit Wiegand, 4 / 8bit Burst for PIN, ABA Track II
Communication		RS232 / RS422 / RS485 (Max.255ch), TCP/IP (External LAN Converter required)	
Baud Rate		9,600bps (recommended) / 4,800bps, 19,200bps and 38,400bps (selectable)	
Input Port		2ea (External LED Control, External Buzzer Control)	
Output Port		2ea (Error-Output , OK-Output (Open Collector Output))	
Output Format		26bit Wiegand (default) ABA Track II (optional)	
LED Indicator / Beeper		3 Array LED Indicators (Red and Green) / Piezo Buzzer	
Operating Temperature	Fingerprint Module	-15° to +40° C (+5° to +104° F)	
	RF Reader	-35° to + 65° C (-31° to +149° F)	
Operating Humidity		10% to 90% relative humidity non-condensing	
Color / Material		Pearl Dark Gray and Light Gray / Polycarbonate	
Dimension (W x H x T) / Weight		2.6" x 5.1" x 2.0" (66mm x 129mm x 52mm) / 259.5g (0.57lbs)	
Certification		FCC, CE, MIC, ROHS	

FGR006EX with Existing Readers

